

Make a Tube Camera Obscura

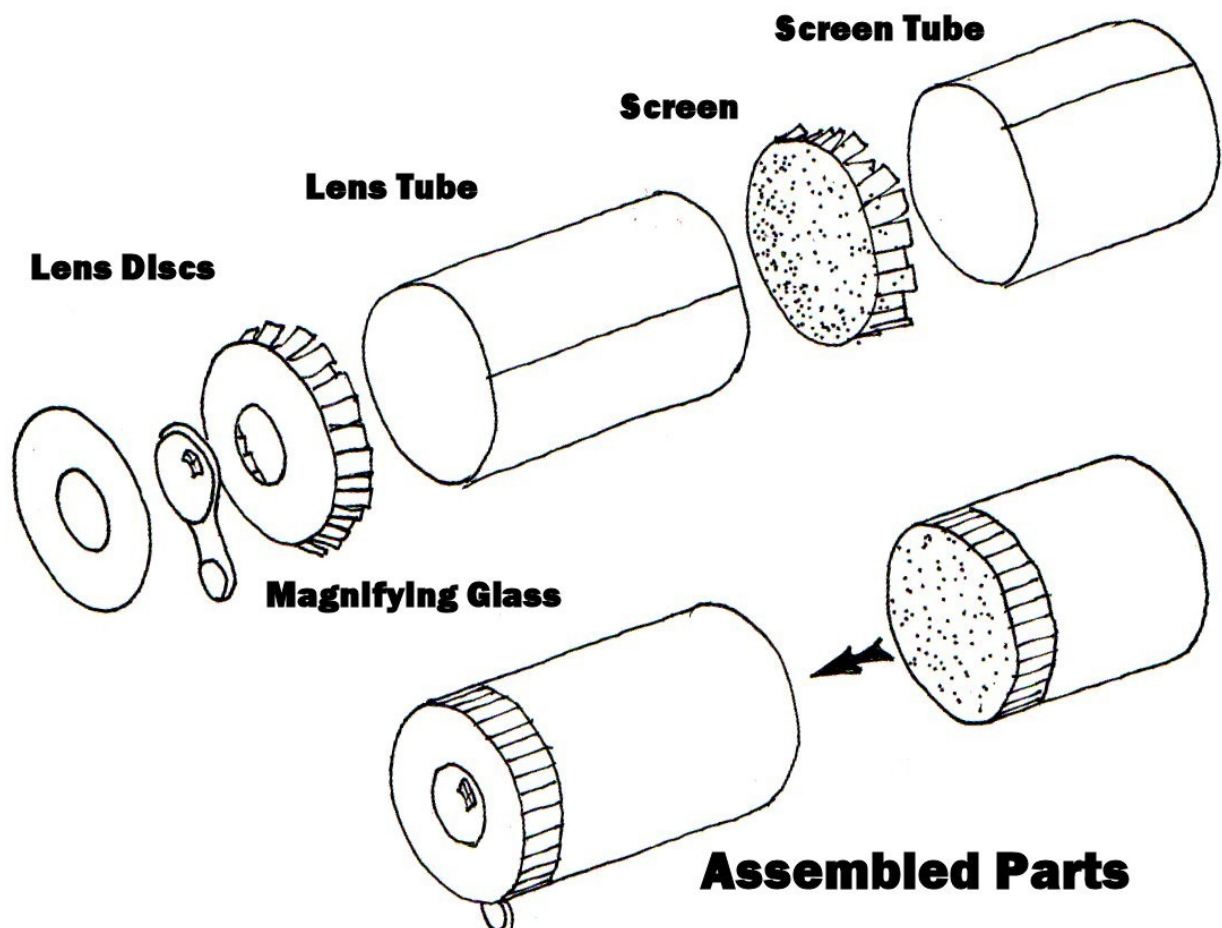
You Will Need:

Templates - printed onto light card (approx 220gsm)
Forming Tube - around 70mm diameter (A 500ml | drinks bottle works well)
Plastic Lens
Tracing Paper

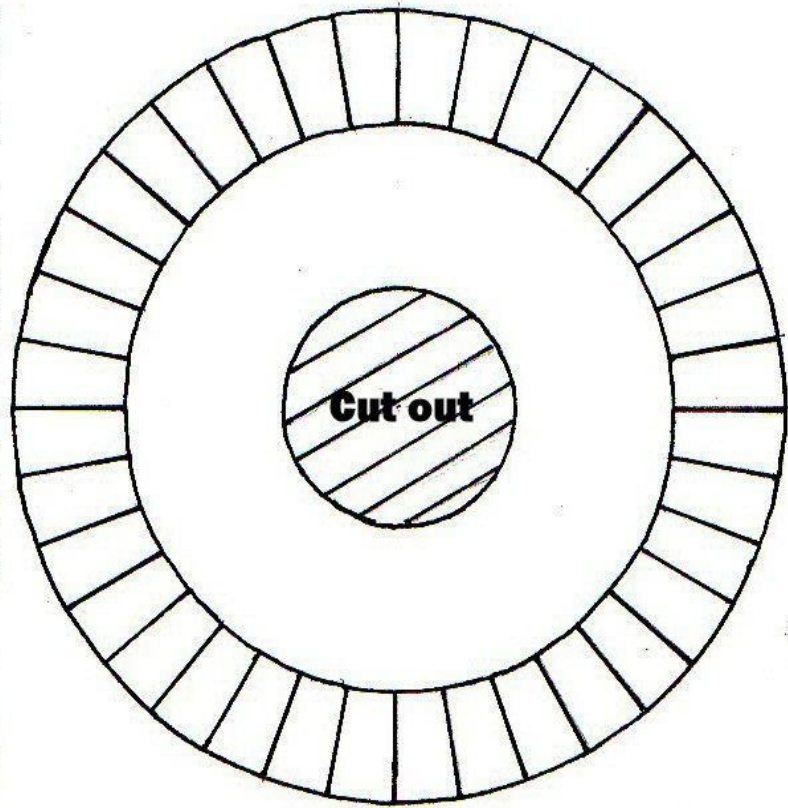
Sticky Tape
Scissors
Stapler

Instructions

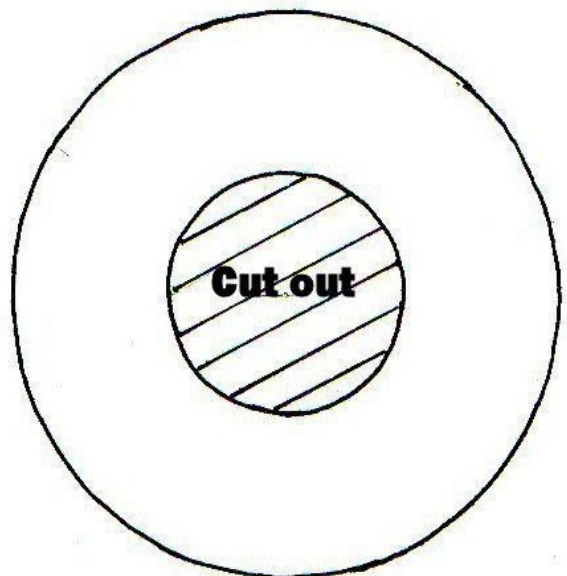
1. Roll Screen card around Forming Tube and tape up.
2. Trace the outer part of top Lens Disc onto the tracing paper and cut out.
3. Fix Tracing paper screen over one end of screen tube with tape.
4. Roll lens tube around screen tube and tape.
5. Cut out Lens Discs
6. Sandwich lens between discs and staple together.
7. Fix assembled Lens Holder over the end of the lens tube.
8. Look at screen through tube, slide the Screen Tube in and out of Lens Tube to focus the image.



Screen Tube



Lens Discs



TUBE CAMERA OBSCURA

Lens Tube



TUBE CAMERA OBSCURA